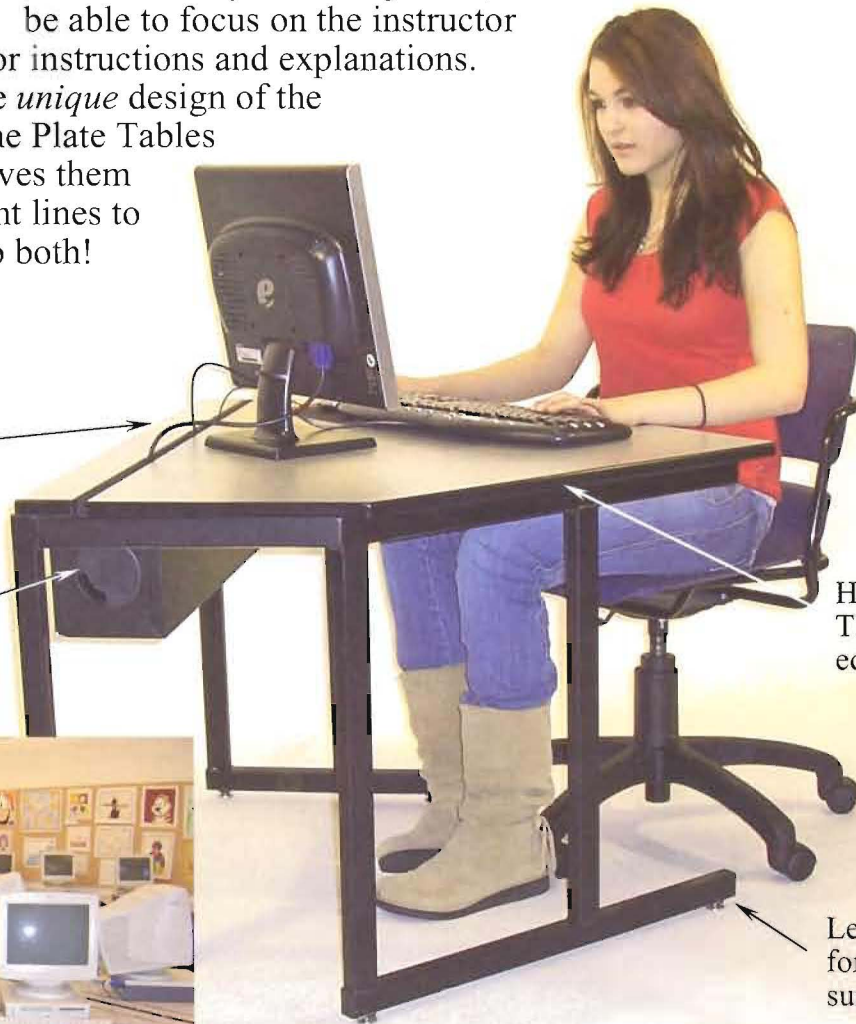


# Home Plate Computer Tables

In a computer lab, students should be able to work on their computers without being distracted by their neighbors, and be able to focus on the instructor for instructions and explanations.

The *unique* design of the Home Plate Tables gives them sight lines to do both!



Flip-top cable management with adjustable clip-on/off hinges

Roomy, 5.5 x 6.25" fully enclosed trough

High-impact Thick mil PVC edging

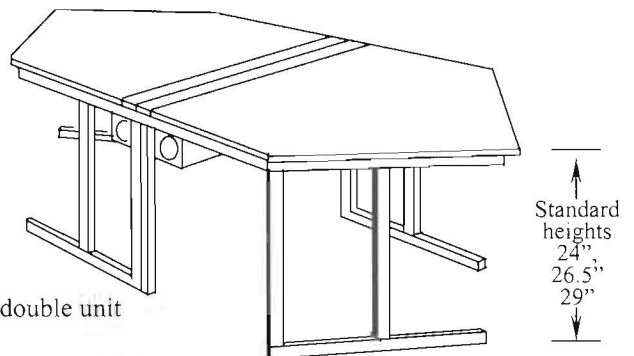
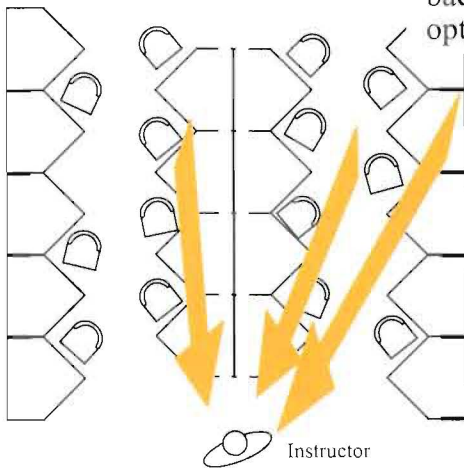
Leg levelers for uneven surfaces

Cantilever leg design For knee space

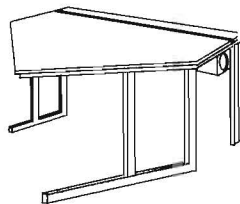


## GRAFCO DESIGN TIPS

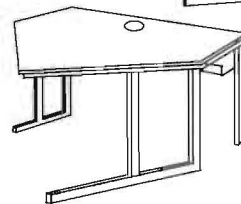
Set up HOME PLATE tables in double rows and along the walls from the back to the front to optimize lines of sight



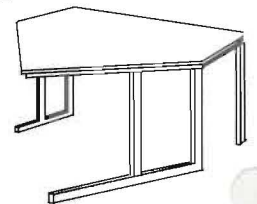
HT-Series, double unit



HT-Series Flip-Top cable management



HJ-Series J-Channel cable management



HN-Series No cable management Grommets optional