



STAGE & RISER SOLUTIONS



www.sicoinc.com

SICO Tri-Height Stage



Low see-through profile allows for easy movement of stage units.

The SICO Tri-Height Stage is a system that features three variable height adjustments, making for much more versatile staging. Set-up at a single level for meeting room stages, fashion runways, or head table settings. Set-up tiered configurations for seating or choral risers.

Easy to operate:

- Requires minimal effort to set-up, keeping staffing requirements and labor costs to a minimum.

Easy to set-up and take-down:

- Each section rolls in on 5-inch (13cm) swivel rubber casters and is quickly and easily set into place. The wheels lower automatically and engage to the floor as the unit is folded and rolled into storage.

Less Units to be Handled:

- 6' x 8' (183cm x 244cm) stages make for the perfect head table riser. Allows 30" (76cm) for tables, 18" (46cm) for chairs, plus 24" (61cm) for serving space. 4' x 8' (122cm x 244cm) require twice as many units.

More staging options!
Reversible decks feature a combination of carpet and hard surface, or hard surface on both sides.



A spring assist pop-up feature assists in the deck reversal without dismantling a stage set-up.



Velcro on all sides of stage makes for quick and easy adjustable drape attachment. Drapes are adjustable, allowing for full deck-to-floor coverage at all heights.

Tri-Height stages are designed to meet or exceed industry standards.

Larger Decks Reduce Cost:

- 6' x 8' (183cm x 244cm) stages require less units for staging configurations compared to 4' x 8' stages (122cm x 244cm).

Security:

- Over-center locking mechanism keeps legs locked into place during transport.

Accessories:

- Adjustable step units, ADA ramps, guard rail covers, chair/table stops & drapes.

Guard Rails:

- This added safety feature must be used with all Sico stages and risers.

Service:

- SICO offers free space analysis drawings, which will provide accurate layouts for your venue with the appropriate number of stages and stage accessories.
- Warranty: 3-year warranty against manufacturer's defects. Lifetime warranty on welds.
- See specifications on page 18.



Rigid one piece unitized steel frame supports the decks. The decks nest firmly within the frames.



Overlapping of decks in the riser set-up eliminates the possibility of chair legs sliding through. No additional chairstop required!



The stage sections lock together with built-in unit-to-unit connectors when units are at the same or varying heights. No cords, Velcro, straps, or tape are necessary to hold stages in place.

Simply remove four bolts (with conventional allen wrench or power drill) to easily reverse deck surface.



Changing heights is simple with the SICO built-in lock and pin mechanism. Just rotate the yellow handle and adjust to the desired height. Adjusts in 6" (15 cm) increments, adhering to ADA (Americans with Disabilities Act) requirements.

SICO 1800 Dual-Height Stage

The Dual-Height / Single Height 1800 series offers all the advantages of a mobile folding stage, plus the added simplicity and speed of built-in height adjustability.

Single Person Set-up:

- Designed to be set-up and taken down by one person resulting in considerable savings in labor and time.

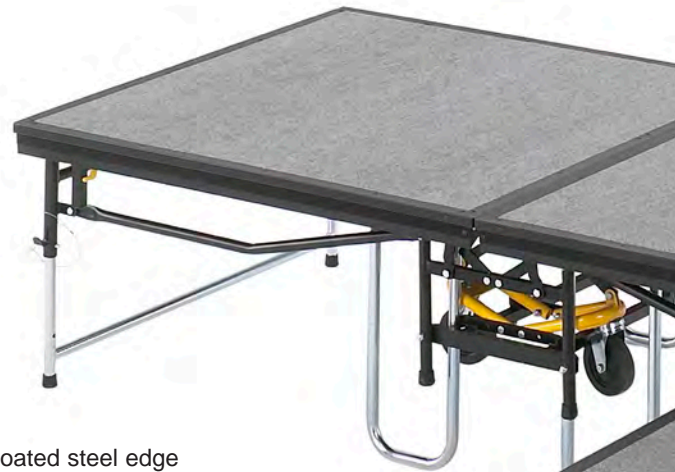
Less Units to be Handled:

- 6' x 8' (183cm x 244cm) stages make for the perfect head table riser. Allows 30" (76cm) for tables, 18" (46cm) for chairs, plus 24" (61cm) for serving space. 4' x 8' (122cm x 244cm) require twice as many units.



Over-center locking mechanism keeps legs locked into place during transport.

Each section of a SICO 1800 mobile folding stage rolls freely on its own four casters. No heavy sections to lift and carry, no storage caddies necessary.



Vinyl coated steel edge banding provides long lasting wear and durability.

Velcro on all four sides of stage make for easy drape attachment. Drapes are adjustable, allowing full deck-to-floor coverage at all heights.

Unit-to-unit lock for tiered riser or stage set-up guarantees that stages are locked together for safety and security.



SICO's pin and cable operation allows for easy height adjustment.

Accessories:

- Adjustable step units, ADA ramps, guard rail covers, chair/table stops and drapes.

Guard Rails:

- This added safety feature must be used with all SICO stages and risers.

Service:

- SICO offers free space analysis drawings, which will provide accurate layouts for your venue with the appropriate number of stages and stage accessories.
- Warranty: 3-year warranty against manufacturer's defects. Lifetime warranty on welds.
- See specifications on page 18.

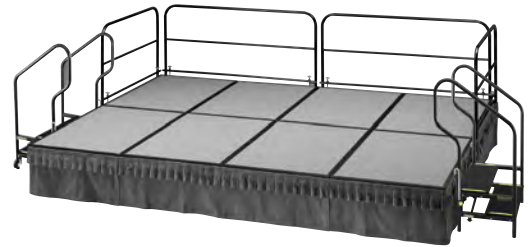


Ideal for head table risers, performance stages, fashion runways, speaker's platform and theatre-in-the-round.

Carpet or hard surface for long lasting wear and durability.



1/8" (.32 cm) unitized steel frame for long lasting strength and durability. Meets or exceeds industry standards!



Universal guardrails are used with the 1800 Stage, as well as the SICO Tri-Height stage.

SICO X-Press® Stage & Riser

The SICO X-Press® is a stage and riser system designed to meet a facility's ever-changing needs. The X-Press® converts easily from one application to another without the necessity of lifting heavy folding leg units.

Built to Stand-Up to your Needs:

- The SICO deck is structural, light-weight, and quiet. These features are made possible by a special resin impregnated honeycomb core, a solid edge, and complemented by our standard hard surface or carpeted surface.

Lightweight Frame & Deck:

- The lightweight frames and decks allow for ease of handling. Available in 4' x 8' (122cm x 244cm) or 3' x 8' (91cm x 244cm) to meet your particular requirements. 3' x 8' units (91cm x 244cm) are recommended for riser configurations.

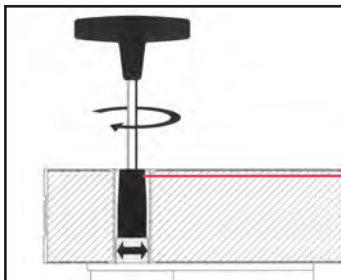
Sturdy:

- 14-gauge unitized steel frame for long lasting strength and durability. Meets or exceeds industry standards!



Mobile caddies are available which hold up to 8 decks and frames, or 256 sq. ft. (24 sq.M) of staging for ease of storage and transport.

Choose between a standard black hard surface, or a choice of carpet colors. Single sided or reversible decks are available.



Exclusive expanding rubber gasket at the base of each flex pin allows decks to be secured to the frames and sit flush with the deck surface.



Snap action lock secures deck sections together in a stage or riser set-up.

Flexible:

- Available in a variety of heights with 6" (15cm) increments to meet ADA requirements.

Accessories:

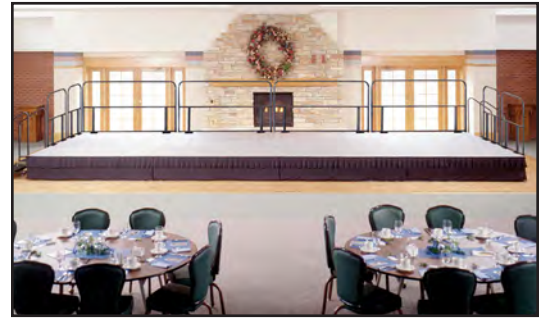
- Adjustable step units, ADA ramps, guard rail covers, and drapes.

Guard Rails:

- This added safety feature must be used with all SICO stages and risers.

Service:

- SICO offers free space analysis drawings, which will provide accurate layouts for your venue with the appropriate number of stages and stage accessories.
- Warranty: 3-year warranty against manufacturer's defects. Lifetime warranty on welds.
- See specifications on page 19.



Center frame legs have two adjustable glides to help level the stage on uneven surfaces.



Heights are easily set with adjustable pull pins.



The compact, light-weight frame is set in place, unfolded, and automatically assumes the correct position for attaching the deck.

SICO Harmony Choral Risers

The innovative design of the SICO Harmony Choral Riser makes it easy to handle, quiet, and secure. The Harmony is available in both a three-tier and four-tier model.

Easy to handle:

- Four wheel design means no lifting to transport. Everything is contained in one unit, no parts to carry or add on.

Easy to fold:

- Transport and storage are easy for staff. One simple lifting motion makes it easy to fold up units. No disassembly required.

One Person Operation

- Deck frames are welded aluminum to minimize weight.
- Unit-to-unit cam connector draws units together and locks them in place. Nothing to unbolt or unscrew for set-ups or take-downs.



One-inch (2.5 cm) deck-to-deck overhang reduces chances of accidents caused by heels slipping between riser tiers.

Contact feet prevent sliding of risers as performers move about.



Available in both three and four-tier models.



Guardrail folds down over unit and secures the risers in an upright position. Both 3 and 4 rise units will roll through a standard 36" (91cm) door.

Side Rails:

- This added safety feature must be used with all Harmony Choral Risers.

Service:

- SICO offers free space analysis drawings, which will provide accurate layouts for your venue with the appropriate number of choral risers.

Built to last:

- Carpet completely wraps tops and sides of all decks providing a quiet, acoustical asset to your performances. Carpet also eliminates the possibility of catching robes on sharp edges.
- Both the wheels and non-marking contact feet will not scratch floors, and are quiet, even on hard floors.
- 15-year warranty against manufacturer's defects. Lifetime warranty on welds.
- See specifications on page 19.



The black frame offers an attractive appearance without reflective surfaces.



Exclusive deck locks allow quick configuration changes. Nearly instantaneous change of the deck arrangement from a curved to either a straight-line set-up, or a combination of curved and straight line. No tools required for change.



Side Rails mount to back of unit when in stored position.

SICO ROLL N' SET

The Ultimate in Performance Stages

Fast Set-Up Time:

- An experienced crew of four can set a 40' x 64' (12.2m x 19.5m) stage in less than 30 minutes, (60 minutes with accessories package) saving labor costs for many years. The Roll N' Set stage can be cleared in even less time.

Easy To Use:

- No lifting of decks: Four - 4' x 8' (1.2m x 2.4m) decks are stored directly on each mobile frame; 128 sq. ft. (12 sq m) of stage per unit! Crewmembers will simply slide decks into place. This time-saving feature eliminates the need to lift any decks during set-up.

Easy Height Adjustment

- "Gas Spring" lift assembly available.

Solid Attachment:

- The flex pin connectors provide a quick and solid attachment between the decks and the frames without any loose parts or hole-plugs.



SICO EXCLUSIVE!

Universal Pin Connectors are capable of 2, 3 or 4-way bridging. They always remain in place and they allow any stage unit to work in any location. Expanding rubber gasket at the base of each flex pin allows decks to be secured to the frames.

SICO EXCLUSIVE!

Adjustable glide provides for small height corrections.

SICO EXCLUSIVE!

Bridging bars store directly on the frame.

SICO EXCLUSIVE!

Convenient foot pedals easily raise the stage units onto rugged casters, so that entire stage sections can be relocated without disassembly.

Reversible Decks:

- Reversible decks offer a long wearing carpet surface or a scratch resistant Tuff-Deck smooth surface.

Storage:

- The Roll N' Set stage units are quickly folded, and easily rolled to and from your storage area. No deck pallets or storage caddies are required, saving money and storage space. Folded Roll N' Set stage units serve as mobile folding caddies for the decks. Stored units are also designed to accommodate forklifts.

Riser Configurations:

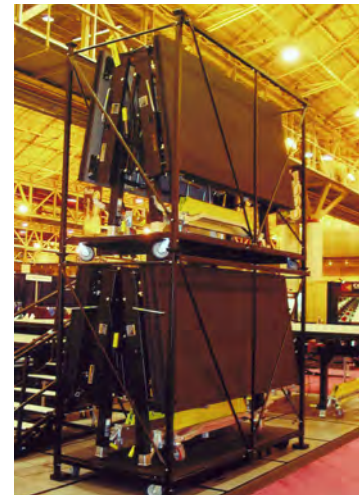
- Optional connectors can be used to create a tiered seating riser configuration.

Accessories:

- Adjustable step units, ADA ramps, guard rail covers, drapes, backdrops and crowd control barriers (see pages 16-17).

Guard Rails

- This added safety feature must be used with all SICO stages and risers.
- Warranty: 3-year warranty against manufacturer's defects. Lifetime warranty on welds.
- See specifications on page 20.



Stacking caddies available



SICO EXCLUSIVE!

- The multi-layer construction of the decks eliminates annoying "drumming."
- The holes in the corners of the deck go all the way through, making it easy to visually line up the flex pins on a frame.
- Velcro around each deck allows for quick and easy installation of stage skirting without any clips or pins.

SICO EXCLUSIVE!

All operational parts are painted a bright yellow for easy identification.

SICO offers free space analysis drawings, which will provide accurate layouts for your venue with the appropriate number of stages and stage accessories.

SICO FOLD N' SET STAGE & RISER

The **SICO Fold N' Set stage** provides a very solid feel for performers and solid savings in time and labor for set-up crews.

Easy Set-Up:

- Frames automatically unfold to 90 degrees for quick installation of the structural decks. Frames and braces are quickly assembled without tools. The stage height is easily changed. Bridge decks are quickly installed between frames.

Quiet and Stable Surface:

- Reversible decks offer a long wearing carpet surface or a scratch resistant Tuff-Deck smooth surface.

Solid Attachment:

- The flex pin connectors provide a quick and solid attachment between the decks and the frames without any loose parts or hole-plugs.

Minimum Storage Space:

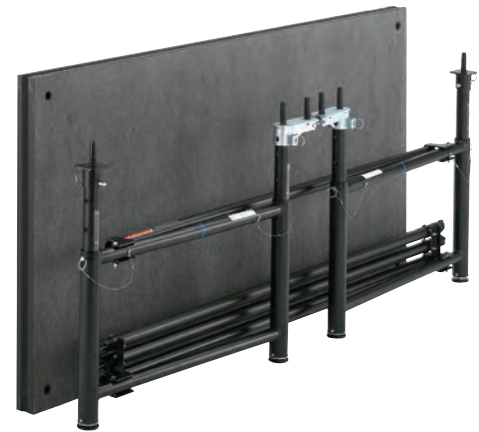
- The frames and braces store on mobile storage caddies that are easily rolled from storage to the set-up location.

Accessories:

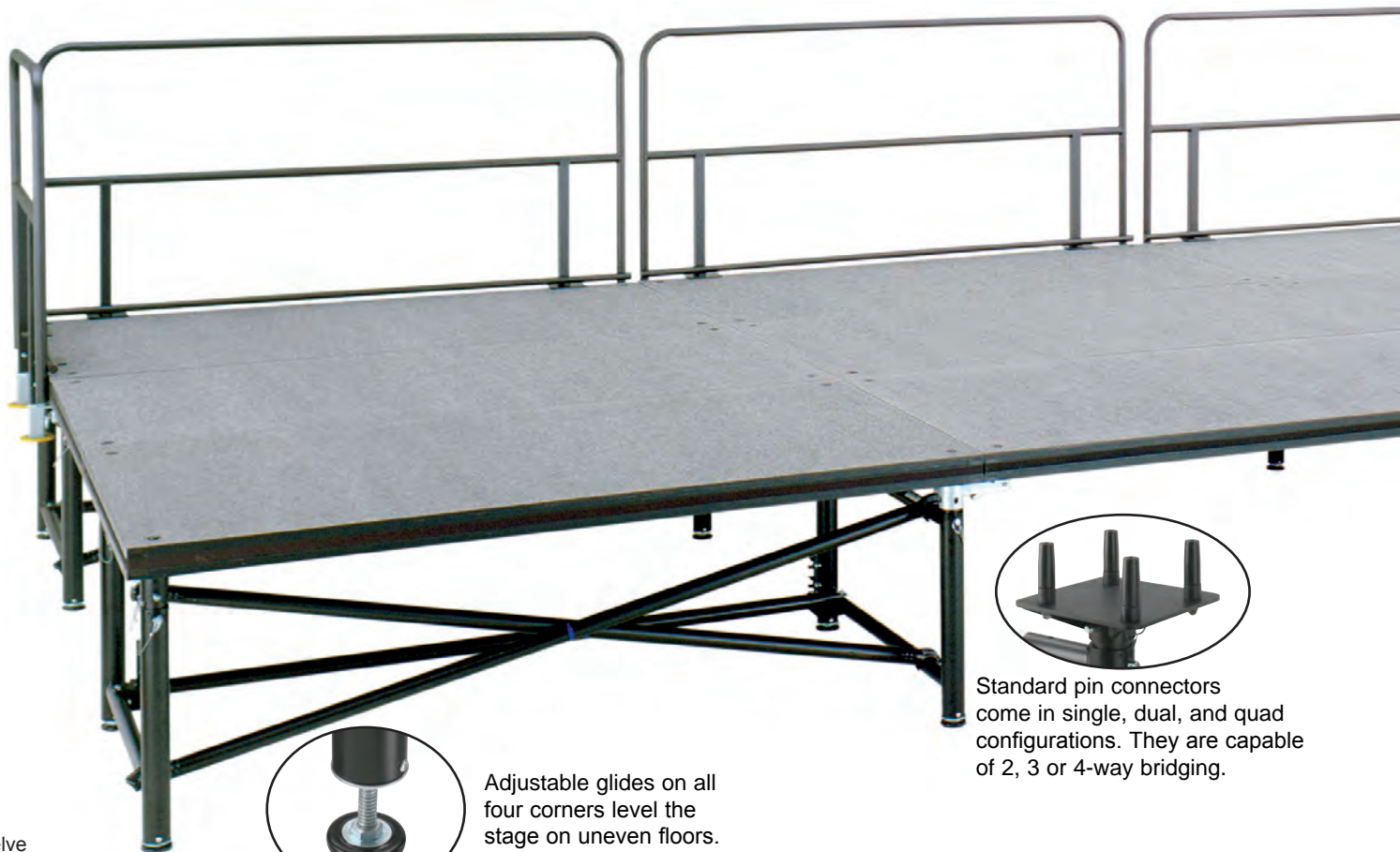
- Adjustable step units, ADA ramps, guard rail covers, drapes, backdrops and crowd control barriers (see pages 10 & 11).

Guard Rails

- This added safety feature must be used with all SICO stages and risers.
- Warranty: 3-year warranty against manufacturer's defects. Lifetime warranty on welds.
- See specifications on page 20.



Sway braces store on frames.



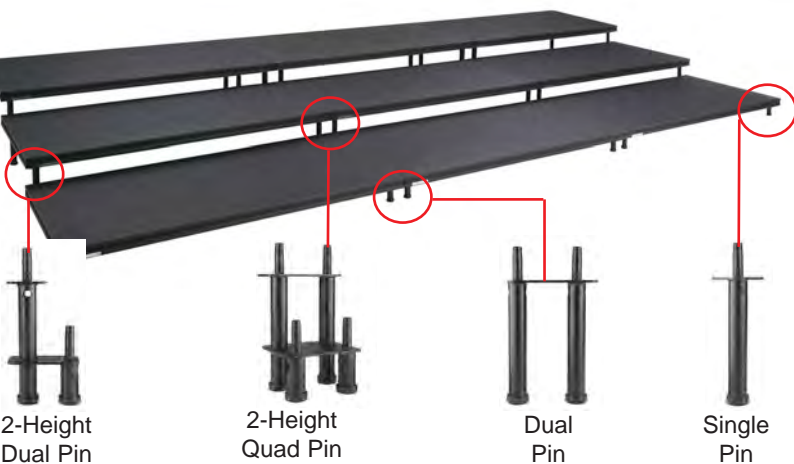
Adjustable glides on all four corners level the stage on uneven floors.



Standard pin connectors come in single, dual, and quad configurations. They are capable of 2, 3 or 4-way bridging.



Mobile Storage Caddies for Fold N' Set frames and decks.



Insertable legs are available for stage heights up to 24".



12' x 24' multi-height stage:
9 decks supported by 4 frames.



Large open spaces beneath the decks are ideal for stringing cables or stage-side storage.

SICO offers free space analysis drawings, which will provide accurate layouts for your venue with the appropriate number of stages and stage accessories.

SICO FOLDING LEG STAGE & RISER

The **SICO Folding Leg system** offers extreme flexibility in one easy-to-use package. It can be set as a performance stage, tiered risers, choral or orchestra riser. The system offers a wide range of heights and the stage units can be locked together either at the same height or tiered heights.

Flexible:

- Three different leg assemblies available, adjustable VT legs for hills or stair steps, adjustable H-legs for level surfaces, or insertable legs for more height options.

Strong:

- Unitized steel frames for strength, stability and a long service life.

Quick Locking Action:

- Whether in a riser assembly or in a stage configuration. Metal unit-to-unit locks quickly lock tiered units in the proper alignment.

Indoor and Outdoor Use:

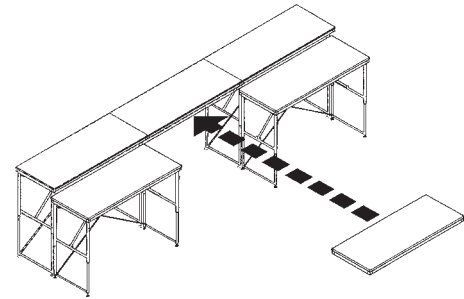
- Your facility can choose a standard system for interior use, or a system specially designed for outdoor use that features sealed decks, zinc coated legs, and Skidguard (a tough, UV stable deck surface).

Accessories:

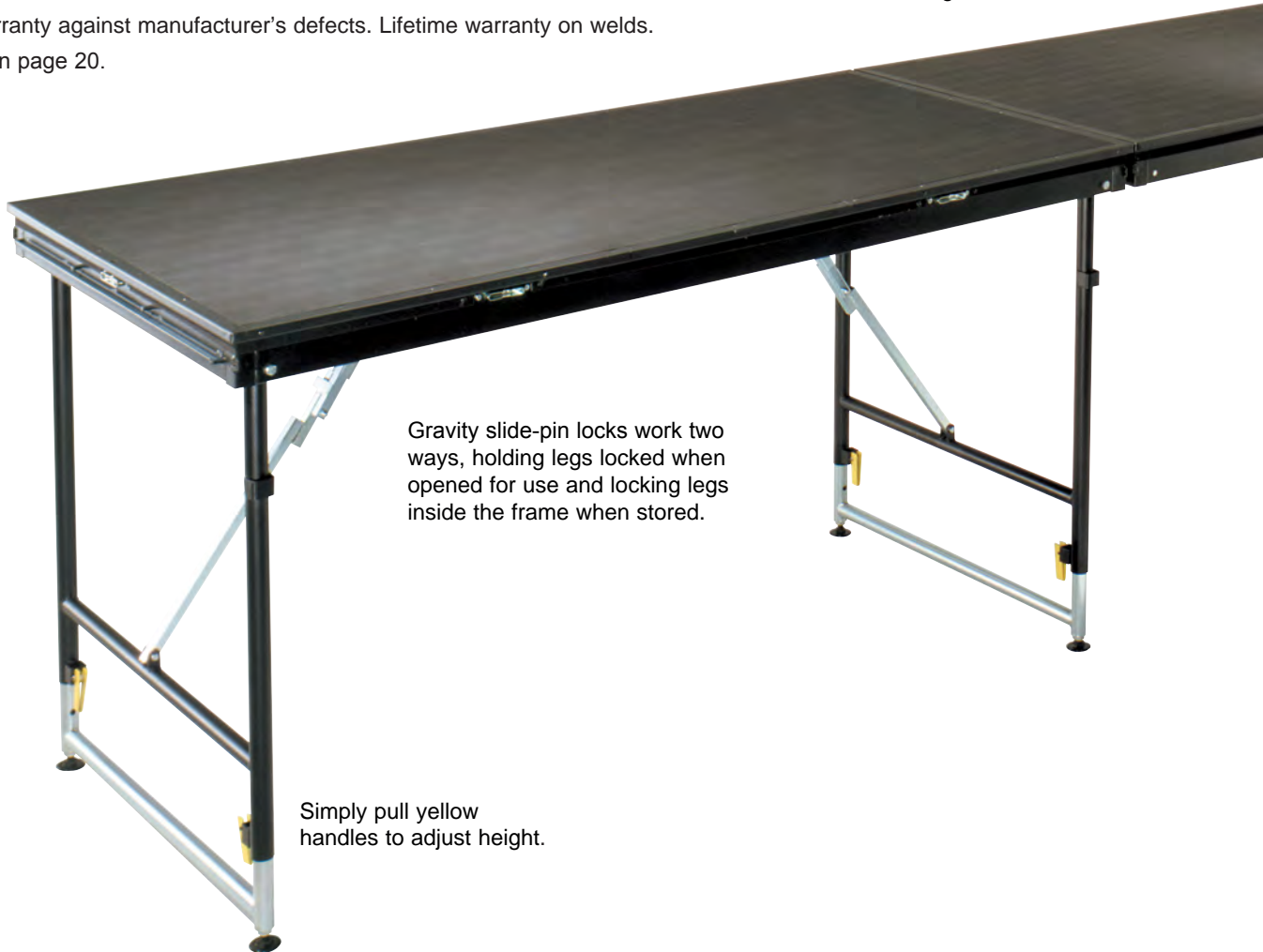
- Adjustable step units, ADA ramps, guard rail covers, drapes, enclosure panels and crowd control barriers (see pages 16 & 17).

Guard Rails

- This added safety feature must be used with all SICO stages and risers.
- Warranty: 3-year warranty against manufacturer's defects. Lifetime warranty on welds.
- See specifications on page 20.



Bridge units slide into channels built into the ends of leg units.

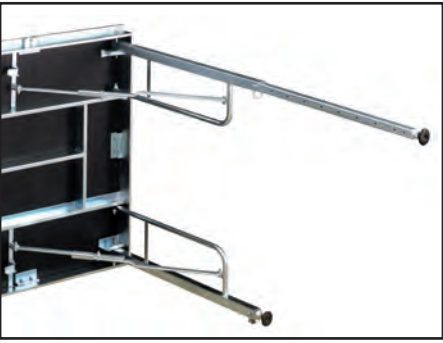


Gravity slide-pin locks work two ways, holding legs locked when opened for use and locking legs inside the frame when stored.

Simply pull yellow handles to adjust height.



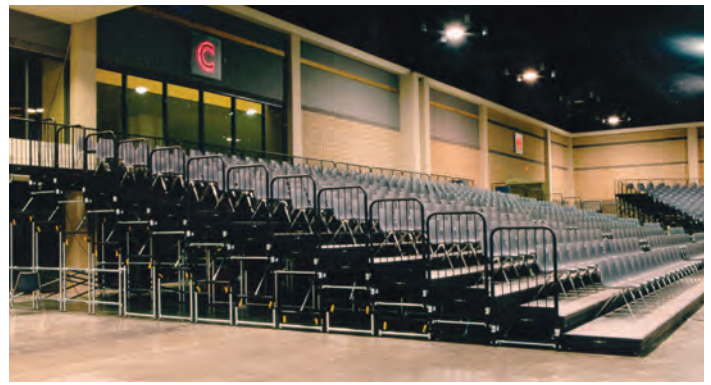
Roto-Locks, used on professional stages worldwide, lock units and bridges together.



Variable Terrain units are standard 4' x 8' (122cm x 244cm) or 3' x 8' (92cm x 244cm) with individually adjustable legs for indoor-outdoor use, uneven terrain, over hockey dashers, etc. Zinc-plated frame and legs for exterior use. Custom sizes also available.



Insertable legs of 8", 12", 16", and 24" (20cm, 30cm, 41cm, and 61cm) can be easily used with either folding leg units or bridge decks to create additional height options.



The SICO Folding Leg system can be easily reconfigured into risers, band shell set-ups, performance stages, or runways.



H-Leg units set-up fast, and adjustable glides level frames on uneven floors. Available in 4' x 8' (122cm x 244cm) and 3' x 8' (92cm x 244cm). Custom sizes also available.

SICO offers free space analysis drawings, which will provide accurate layouts for your venue with the appropriate number of stages and stage accessories.



Caddies can be stacked to minimize storage space.

SICO ACCESSORIES

SICO CB4/6 CROWD CONTROL BARRIERS

Portable, folding barrier sections. 4' (122cm) high x 4' (122cm) or 6' wide (183cm) with a continuous rear security step.



Units lock in the folded position for easy handling.



4 or 6 unit Tip-Off Caddies



SICO UNIVERSAL RAMPS

- SICO Adaptable Ramps are mobile folding units, allowing the same fast set-up as you can have with a SICO portable folding stage.
- SICO Adaptable Ramps meet the requirements of the ADA (Americans with Disabilities Act). The SICO Ramps are “adaptable” for use with any and all SICO stages, including performance and meeting room staging and risers. Our ramps have a gradual incline of 1" (2.5cm) per foot (30.5cm). They exceed the minimum width of 3' (91.4cm), and include guardrails for both sides designed for use by those in wheelchairs.
- SICO Adaptable Ramps are modular. A ramp that fits a facility's highest stages will also meet all lower stage height needs.
- All Ramp surfaces are carpeted.
- Ramps may require turnarounds depending on available space.



Ramps roll easily into place on specially designed caddies.



Guardrail caddies make transport easy.

Please contact the SICO sales department for your requirements. Any stage over 30" (76cm) in height must have a ramp turnaround to meet ADA requirements.

SICO ACCESSORIES

SICO UNIVERSAL GUARD RAILS & GUARD RAIL COVERS

Guardrails are an added safety feature that must be used with all SICO stages and risers.. SICO has guardrails to fit any of our stage and riser systems. Guardrail covers slip on over the guardrails to add a professional, finished look to your stage. They may be in a color similar to your stage drapes or in a color that blends with your facility's furnishings. Guardrail covers can be professionally imprinted with the logo of your facility or your frequent customers



SICO UNIVERSAL STEPS



SICO STAGE DRAPES



No stage is complete without the finishing touch of draperies. Continuous Velcro strips make them adjustable in length to match the height ranges of your stage. Velcro also makes them extra -easy to attach and remove. SICO supplied draperies are made of attractive flame-retardant fabric which retains its beauty over the years. They match companion SICO backdrop draperies. Choose from more than a dozen colors, or supply us with your drapery material and we will custom fit draperies to your stage sizes.

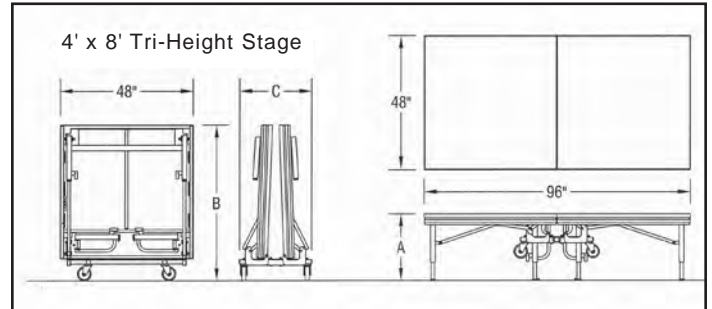
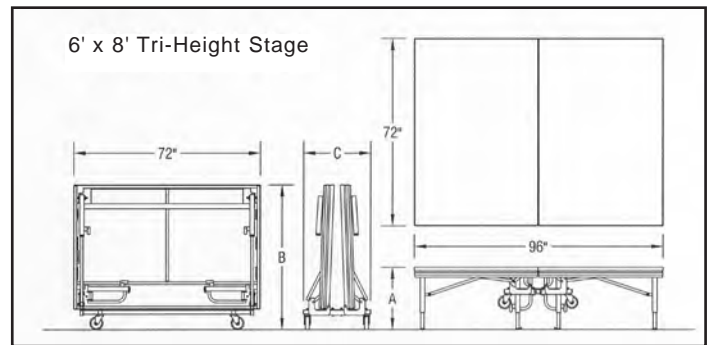
SICO CHAIR STOPS



SICO Tri-Height Stage Specifications:

Model #	A: set-down ht.	B: storage ht.	C: storage length/width
S3H316C??41B	12"/18" (31/46 cm)	49.5" (124cm)	72" x 27.25" (183cm x 69cm)
S3H316E??41B	18"/24"/30" (46/61/76 cm)	55.5" (141cm)	72" x 25.5" (183cm x 65cm)
S3H316F??41B	24"/30"/36" (61/76/91 cm)	61.5" (156cm)	72" x 29.5" (183cm x 75cm)
S3H316G??41B	30"/36"/42" (76/91/107 cm)	67.5" (171cm)	72" x 29.5" (183cm x 75cm)
S3H314C??41B	12"/18" (31/46 cm)	49.5" (124cm)	48" x 27.25" (122cm x 69cm)
S3H314E??41B	18"/24"/30" (46/61/76 cm)	55.5" (141cm)	48" x 25.5" (122cm x 65cm)
S3H314F??41B	24"/30"/36" (61/76/91 cm)	61.5" (156cm)	48" x 29.5" (122cm x 75cm)
S3H314G??41B	30"/36"/42" (76/91/107 cm)	67.5" (171cm)	48" x 29.5" (122cm x 75cm)

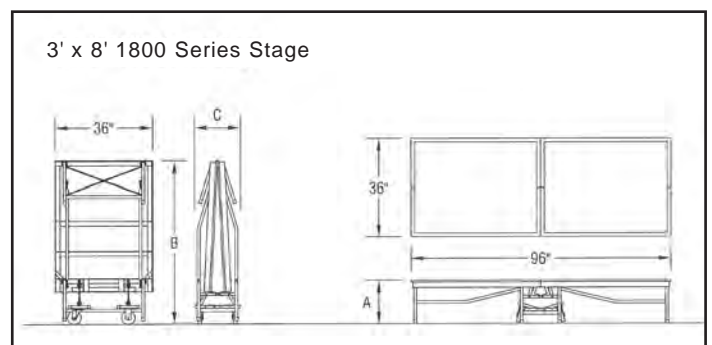
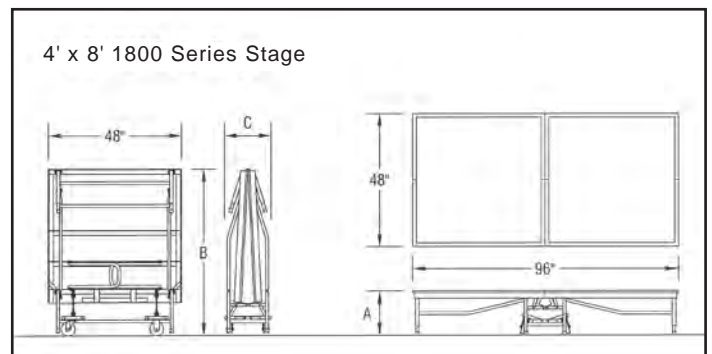
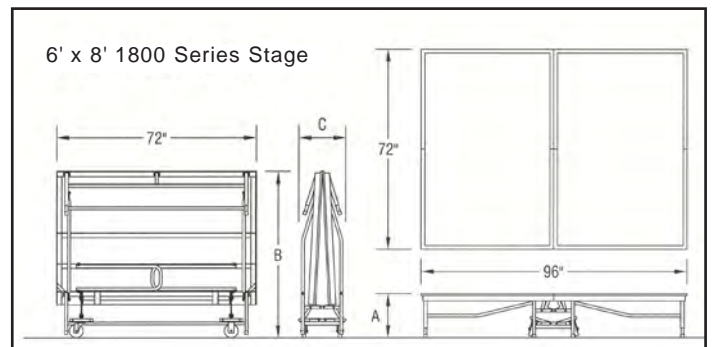
Above Tri-Height model numbers for reversible decks (carpet on one side, hard surface on reverse side). Hard surface on both sides is available.



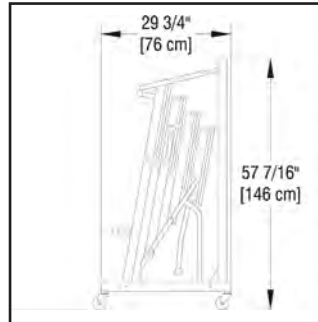
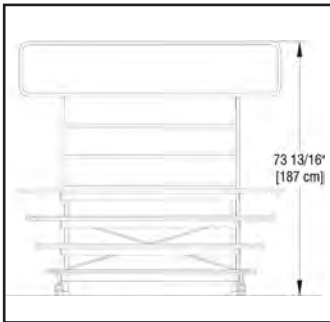
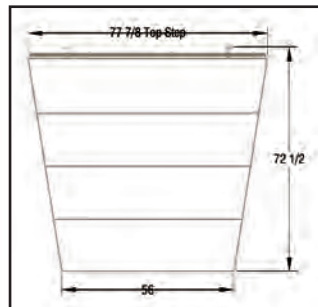
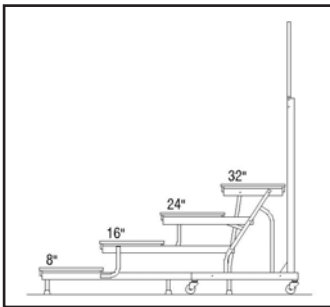
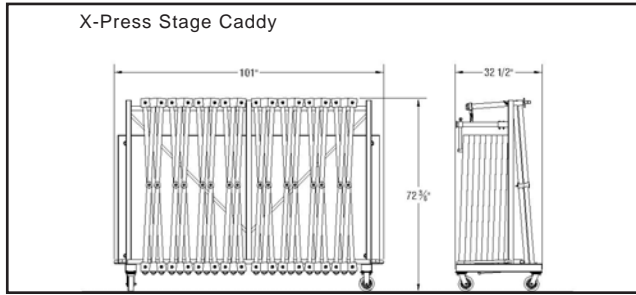
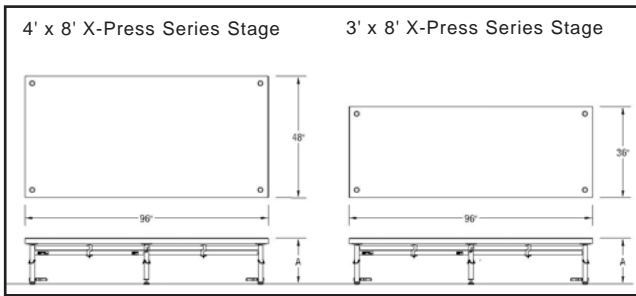
SICO 1800 Stage Specifications:

Model #	A: set-down ht.	B: storage ht.	C: storage width
6' x 8' (183cm x 244cm)			
1882-624	16" - 24" (41cm - 61cm)	60" (152cm)	17" (43cm)
1882-632	24" - 32" (61cm - 81cm)	68" (173cm)	21" (53cm)
1882-640	32" - 40" (81cm - 102cm)	76" (193cm)	21" (53cm)
6' x 8' (183cm x 244cm)			
1881-608	8" (20cm)	52" (132cm)	16.5" (42cm)
1881-616	16" (41cm)	60" (152cm)	17" (43cm)
1881-624	24" (61cm)	68" (173cm)	21" (53cm)
1881-632	32" (81cm)	76" (193cm)	21" (53cm)
4' x 8' (122cm x 244cm)			
1882-424	16" - 24" (41cm - 61cm)	60" (152cm)	17" (43cm)
1882-432	24" - 32" (61cm - 81cm)	68" (173cm)	21" (53cm)
1882-440	32" - 40" (81cm - 102cm)	76" (193cm)	21" (53cm)
4' x 8' (122cm - 244cm)			
1881-408	8" (20cm)	52" (132cm)	16.5" (42cm)
1881-416	16" (41cm)	60" (153cm)	17" (43cm)
1881-424	24" (61cm)	68" (173cm)	21" (53cm)
1881-432	32" (81cm)	76" (193cm)	21" (53cm)
3' x 8' (91cm x 244cm)			
1881-308	8" (20cm)	52" (132cm)	16.5" (42cm)
1881-316	16" (41cm)	60" (152cm)	17" (43cm)
1881-324	24" (61cm)	68" (173cm)	21" (53cm)
1881-332	32" (81cm)	76" (193cm)	21" (53cm)

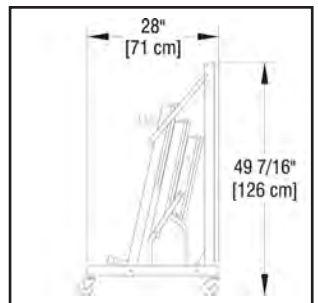
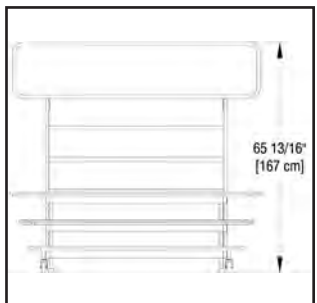
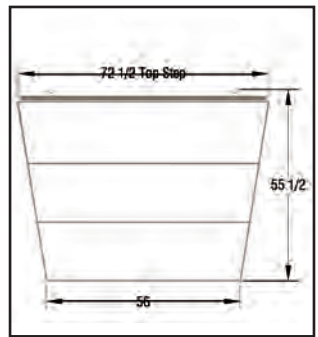
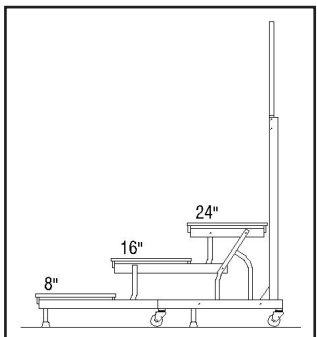
Above model numbers for Tuff-Deck (hard surface). For carpeted deck, change the third digit to a "1". For example: 1811-416 = carpeted stage 4' x 8' - 16" high (122cm x 244cm - 41cm)



Please contact SICO sales for your accessory needs: guardrails, steps, ramps, and drapes.



END VIEW



END VIEW

SICO X-Press Stage Specifications:

Model # Decks	Description: Decks	Model # Frames	Description: Frames
SND144401	4' x 8' Tuff-Deck / Non-reversible (122cm x 244cm)	SNM124AB	4' x 8' / 6" high * (122cm x 244cm)
SND144XXX	4' x 8' Carpet / Non-reversible (122cm x 244cm)	SNM124BB	4' x 8' / 12" high (122cm x 244cm)
SND144XXXR	4' x 8' Tuff-Deck/Carpet reversible (122cm x 244cm)	SNM124CB	4' x 8' / 18" - 24" high (122cm x 244cm)
SND143401	3' x 8' Tuff-Deck / Non-reversible (91cm x 244cm)	SNM124DB	4' x 8' / 24"-30"-36" high (122cm x 244cm)
SND143XXX	3' x 8' Carpet / Non-reversible (91cm x 244cm)	SNM123AB	3' x 8' / 6" high * (91cm x 244cm)
SND143XXXR	3' x 8' Tuff-Deck/Carpet (91cm x 244cm)	SNM123BB	3' x 8' / 12" high (91cm x 244cm)
SAX12FXXX	4' x 4' Corner-Section / Floor Standing (122cm x 122cm)	SNM123CB	3' x 8' / 18" - 24" high (91cm x 244cm)
SAX12SXXX	4' x 4' Corner-Section / Stage Mounted (122cm x 122cm)	SNM123DB	3' x 8' / 24"-30"-36" high (91cm x 244cm)

*6" (15cm) high frames are non-folding.

- The 3' x 8' (91cm x 244cm) lightweight frame weighs only 67 lbs. (30 kg). The 4' x 8' (122cm x 244cm) lightweight frame weighs only 70 lbs. (32 kg.).
- The 3' x 8' (92cm x 243cm) deck weighs only 84 lbs. (38 kg) and the 4' x 8' (122cm x 244cm) deck weighs only 96 lbs. (44 kg).

Harmony 4-RISE MODEL #2610-432 Specifications:*

UNITS	GROUP CAPACITY	WIDTH & DEPTH
2	32-40	12' 10" x 6' 11.5" (391cm x 212cm)
3	48-61	18' 10.5" x 7' 7.75" (575cm x 233cm)
4	64-82	24' 5" x 9' .5" (744cm x 276cm)
5	80-103	29' 4.5" x 10' 4.25" (895cm x 316cm)
6	96-124	33' 7.75" x 12' 3.25" (1026cm x 374cm)
7	112-145	37' .75" x 14' .75" (1130cm x 429cm)
8	128-166	39' 7.75" x 16' 4" (1208cm x 498cm)
9	144-187	41' 1.5" x 18' 5" (1253cm x 561cm)
10	160-208	41' 8" x 20' 10.5" (1270cm x 636cm)

First capacity number: Performers shoulder to shoulder.

Second capacity number: Performers facing center, shoulders turned in.

* Cloud Gray carpet only. Depth of risers is measured in curved configuration.

Harmony 3-RISE MODEL #2610-324 Specifications:*

UNITS	GROUP CAPACITY	WIDTH & DEPTH
2	24-32	11'-11" x 5' 3.75" (363cm x 162cm)
3	36-48	17' 6.5" x 5' 11.75" (535cm x 182cm)
4	48-64	22' 9" x 7' 5.25" (693cm x 227cm)
5	60-80	27' 5.5" x 8' 10" (837cm x 269cm)
6	72-96	31' 5.5" x 10' 8.75" (959cm x 327cm)
7	84-112	34' 8" x 12' 6.75" (1057cm x 383cm)
8	96-128	37' .5" x 14' 10.5" (1129cm x 453cm)
9	108-144	38' 6" x 16' 11.75" (1173cm x 518cm)
10	120-160	39' .5" x 19' 6.25" (1190cm x 595cm)

First capacity number: Performers shoulder to shoulder.

Second capacity number: Performers facing center, shoulders turned in.

* Cloud Gray carpet only. Depth of risers is measured in curved configuration.

SICO ROLL N' SET SPECIFICATIONS:

8' x 8' (244cm x 244cm) stage units consist of two 4' x 8' (122cm x 244cm) Venue Maker decks.

Model #	Height
SRS318AB	48" to 72" height (122cm to 183cm)
SRS381BB	42" to 60" height (107cm to 153cm)
SRS318CB	36" to 54" height (92cm to 137cm)
SRS318DB	39" to 62" height (100cm to 160cm)
SPC311B	Roll N' Set Pin Connector Kit required with each frame unit.

FOLD N' SET STAGE & RISER SPECS:

4' x 8' (122cm x 244cm)

Frame Model #	Height
3628-476B	48" to 76" heights (122cm to 193cm)
3625-448B	32" to 48" heights (81cm to 122cm)
3623-432B	24" to 32" heights (61cm to 81cm)
3623-424B	16" to 24" heights (41cm to 61cm)
3621-416B	16" height (41cm)
3520-008B:	8" (21cm) leg kit - set of 4

Decks and connectors are not included in above model #.

SICO FOLDING H-LEG STAGE SPECIFICATIONS:

Model #	Width & Length	Height
SVT11B4C	4'x8' (122cm x 244cm)	24"-32" (61cm-81cm) Glides raise to 36" (91cm)
SVT11B4B	4'x8' (122cm x 244cm)	32"-48" (81cm-122cm) Glides raise to 52" (132cm)
SVT11B4A	4'x8' (122cm x 244cm)	48"-80" (122cm-203cm) Glides raise to 84" (213cm)
SVT11B3C	3'x8' (91cm x 244cm)	24"-32" (61cm-81cm) Glides raise to 36" (91cm)
SVT11B3B	3'x8' (91cm x 244cm)	32"-48" (81cm-122cm) Glides raise to 52" (132cm)
SVT11B3A	3'x8' (91cm x 244cm)	48"-80" (122cm-203cm) Glides raise to 84" (213cm)
SVT11D4	4'x8' (122cm x 244cm) Bridge Unit	
SVT11D3	3'x8' (91cm x 244cm) Bridge Unit	

Crowd Control Barrier Specifications:

Model #	Description
SBC11P4	4' x 4' Barrier Section
SBC11P6	4' x 6' Barrier Section
SBC11G3	3' Pass-Through Gate
SBC11A1	Inside Corner Section
SBC11A0	Outside Corner Section
SAC11CB46	Tip-Off Caddy: 4 units
SAC11CB66	Tip-Off Caddy: 6 units

THE SICO FAMILY OF PRODUCTS

Tables



Pacer Mobile Folding Banquet Tables



2-Tier Banquet Tables



SOPHISTICATE Upscale Catering Tables



Multiple Application Mobile Folding Tables



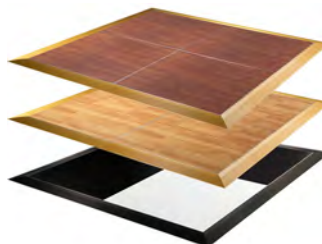
Multi-Height Pre-Event Mobile Folding Tables

Buffet Stations

Mobile Sleepers

Portable Dance Floors

Luggage Carts



www.sicoinc.com

The Americas
SICO AMERICA INC.
7525 Cahill Road
Minneapolis, MN 55439 USA
In U.S. Phone (800) 328-6138
Outside U.S. (952) 941-1700
Fax (952) 941-6688
e-mail: sales@sicoinc.com

Australasia & South Africa
SICO SOUTH PACIFIC
Lot 3 Blade Close
Berkeley Vale, NSW 2261
Australia
Phone [61] (2) 4336-1333
Fax [61] (2) 4388-4643
e-mail: sales@sicosop.com.au

Europe & Middle East
SICO EUROPE LTD.
The Link Park
Lympe Industrial Estate
Lympe, Kent CT21 4LR
England
Phone [44] (1303) 234000
Fax [44] (1303) 234001
e-mail: sales@sico-europe.com

Asean Countries, Korea & India
SICO ASIA PTE LTD.
1 Clementi Loop #06-01
Clementi West LogisPark
Singapore 129808
Phone (65) 6500-0800
Fax (65) 6500-0811
e-mail: sales@sicoasia.com

Japan
SICO JAPAN
Izumishoji Bldg. 4F
4-2-6, Kojimachi, 4-Chome
Chiyoda-ku, Tokyo 102-0083
Japan
Phone [81] (3) 3288-0145
Fax [81] (3) 3288-0146
e-mail: sales@sico-japan.com

China
SICO-SST
Area B, Tian Zhu Airport
Industrial Zone, Shun Yi District
Beijing, 101312
Peoples Republic of China
Phone [86] (10) 8048-1587
Fax [86] (10) 8048-2510
e-mail: sales@sico-sst.com